

business projector series

evo22sx+

SXGA+ resolution

3000 ANSI lumens

BrilliantColor™ technology

3.0 kg / 6.6 lbs.



Derived from one of our bestseller products, and now providing even better image quality, the new evo22sx+ gives image quality and reliability that can be seen from anywhere in the room.

projectiondesign evo22sx+

The projectiondesign evo22sx+ has been designed for business users and corporations. With SXGA+ resolution DLP® technology and unmatched compatibility, it works with virtually anything you connect it to. No more nervous presenters or support calls when you can't get an image projected.

SXGA+ resolution

projectiondesign is a pioneer in high resolution DLP technology, and has for several years been the exclusive provider of single chip, high resolution DLP projectors for professionals. The evo22sx+ brings this high performance to the business user. With almost double the workspace of regular XGA, SXGA+ provides very wide compatibility, from high resolution notebook and laptop computers to graphics workstations.

RealColor colour management suite

Our proprietary RealColor colour management suite ensures perfect colour reproduction and allows the user to define a desired white point, or match the colours from the projector to the picture on the screen or a print for true colour imaging. Product presentations and corporate profiles look as good as they do in real life and on printed paper. In the evo22sx+, RealColor makes further use of VIDI™ lamp technology to enhance and perfect colours, and sustain image quality over time.

Professional quality video

With built-in high performance video processing, the evo22sx+ provides professional quality video in all settings, both with analogue and digital sources.



Great image quality

The most important thing about your presentation is how you communicate your message, and how it is perceived by the audience. With the projectiondesign evo22sx+ you are at least certain your presentation looks good! Thanks to employing new VIDITM lamp and RealColor colour management technologies, the evo22sx+ provides outstanding colours, and picture accuracy, leaving the presentation up to you!

Low operating noise

In many challenging environments, the noise of a projectionsystem can be disturbing. Not so with the evo22sx+. It is built entirely from magnesium and exotic materials like ceramics to give low noise. The chassis is used for heat dissipation, and all moving parts are decoupled from the chassis in order to make the least noise. That creates not only the sturdiest, but also the most silently running business projector in its class!

Simple and secure asset management

Built in networking allows remote asset management through a simple web interface, or through our dedicated ProNet.Manager asset management software. It also allows easy integration into IP and RS232C based control systems. Familiar, 4-digit pin code password protection prevents unauthorised use.

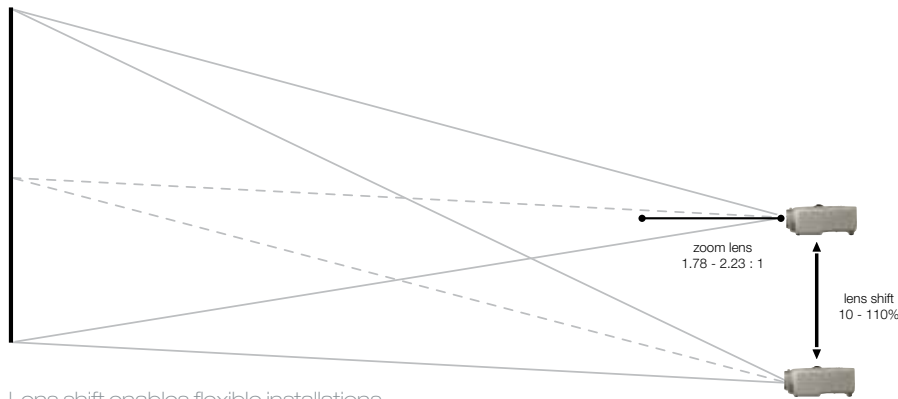
High performance optics

The precision ground zoom lens features lens shift for distortion free imaging, excellent sharpness and focus from one of the world's leading lens makers. Front access lamp replacement reduces maintenance needs and operating costs in any installation.

Perfectly fit for a wide range of applications

Not only is the evo22sx+ perfectly fit for business presentations, it is also perfect for detailed presentations, such as financial models, product visualisation, database management, engineering and R&D, as well as any graphically intensive work. Even the graphics designers will love it!

Optical lens shift



Lens shift enables flexible installations

The evo22sx+ features a 10 - 110% vertical lens shift. That means more flexibility with installations and no keystone correction needed for a perfectly rectangular image.

Technical specifications

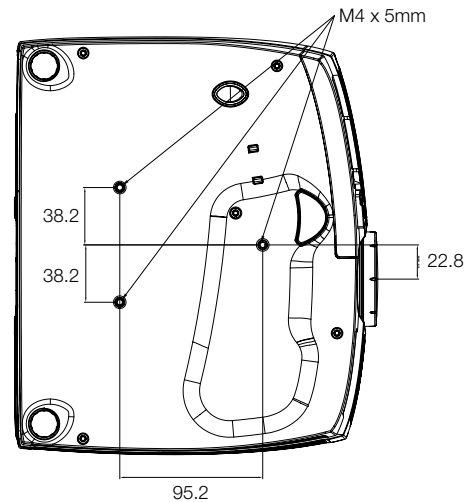
projector		evo22sx+
display		SXGA+ digital projector 101-1324-07 (vanquish grey) 101-1324-05 (pearl white)
display	technology	single chip DLP® with VIDITM and BrilliantColorTM technologies
	resolution	1400 x 1050 pixels (SXGA+)
	brightness	up to 3000 ANSI lumens
	contrast ratio	up to 2500 : 1 (on/off)
compatibility	computer	virtually all computers up to 1920 x 1080 resolution
	video	HDTV (1080i/p, 720p, 576i/p, 480i/p) NTSC 3.56/4.43, PAL BGHI, M, N, SEGAM
optics and lamp	standard zoom lens	1.78 - 2.23 : 1 throw ratio (distance : width)
	image size (diagonal)	0.7 - 8 m (2 - 25 ft)
	focusing distance	1.5 - 10 m (5 - 33 ft)
	optical lens shift	10 - 110%
	lamp	220W VIDITM UHP™
	lamp life	3000 hours (eco mode), 2250 hours (full power mode)
connectivity	computer	HDMI, DVI-I and VGA
	video	HDMI, DVI-D (both HDCP), YPbPr (component), S-video, and composite video
general	control and communication	LAN (TCP/IP), RS232, USB, wired and Infrared Remote Control, 2x 12VDC trigger
	dimensions (dwh)	234 x 278 x 94 mm (9.2 x 10.9 x 3.7 in)
general	weight	about 3.0 kg / 6.6 lbs
	security	4-digit PIN code protection, Kensington lock system
	supplied accessories	Remote control, cable kit, soft carrying case
	power requirements	90 - 240 VAC, 50/60 Hz, +/- 10%, 350W
	conformances	CE, CSA "C/US", FCC Class B, CCC
	available colour	vanquish grey, pearl white
	warranties	3 years parts and labour, 500 hours or 90 days on lamp, conditions apply

Screen sizes

viewing size w x h		screen size (diagonal)		distance to screen (in / cm)	
in	cm	in	cm	min	max
48 x 36	122 x 91	60	152	85 / 217	107 / 272
58 x 43	146 x 110	72	183	103 / 260	129 / 326
67 x 50	171 x 128	84	213	119 / 304	149 / 381
74 x 55	187 x 140	92	234	132 / 333	165 / 417
80 x 60	203 x 152	100	254	142 / 361	178 / 453
96 x 72	244 x 183	120	305	171 / 434	214 / 544

+/- 5% accuracy

Standardised bolt-on ceiling mount interface



Distributed by: